

THE JINN AND THE DOLMEN: THE MOST AMAZING CASE OF ABDUCTION YET

Antonio Ribera

This is a preliminary survey of an extraordinary case. Xavier C— (his full name is on my files) is a young man of 23, born in Almería, on the southern coast of Spain, but now living and working in Barcelona. He is a professional photographer and a draughtsman and, with his brother José María C—, runs a small studio of industrial drawing and photography. He is married, but with no children.

On Sunday in July, 1985, Xavier left his home at 8.00 a.m., saying to his wife that he was going to Vallgorguina, a small village some 25 kilometres from Barcelona, to take some photographs. He took with him his standard modern 35 mm camera, loaded with 100 ASA 21 DIN film, for colour slides, and an old-fashioned box camera which he had made himself.

After spending what he guessed to have been somewhere between 1½ and 2 hours in Vallgorguina, he set out to return home. It was a glorious day, without a cloud in the sky.

Missing Time

He is by nature a very careful person, and always checks and notes the mileage covered. So, after arriving home, he looked at his mileometer, and was astounded to find that, instead of having done the 50 kms. that it should have shown, it showed 300 kms. He had done an extra 250 kms.! And his petrol tank was almost empty, whereas it had been full when he set out that morning!

And, to cap it all, his car was incredibly dirty, with stains of some viscose, sticky substance all over it, and there was mud on the wheels and the chassis. *And the countryside was extremely dry at the time! In fact the farmers were worried over the very long dry spell!*

And there was another thing that surprised him when he got back to Barcelona. All the shops were open, just as on a normal working day — and how could that be possible, seeing that it was Sunday?

But the biggest surprise of all awaited him when he got home, and his wife and brother rushed to welcome him with sighs of relief! Both were very upset, and said: *"Where in heaven have you been all this time? Where did you sleep?"*

Xavier was dumbfounded, and simply asked: *"Why are the shops open on a Sunday morning?"*

"Well, in the first place", replied his brother, *"Today isn't Sunday anyway, but Monday. And the time is 6.00 p.m. We have been to practically every police-station in the city and to several hospitals, looking for you. We feared you had had an accident — a traffic accident!"*

None of them could understand what had happened. But when Xavier began to check his photographic gear, he saw that the numbering on his mod-

ern camera indicated that several photos had been taken. And that was puzzling. For he didn't recall having used it even for a single shot!

Demonic Faces

Piqued by curiosity, he had the slides processed and developed. And he was in for a terrible surprise! A series of slides with green demonic faces appeared. Badly upset, he contacted Carole Ramis, a well-known lady, born in Vienna, but who had been in practice in Barcelona for some years as a parapsychologist. She had known the two brothers already for about seven years, and knew that both were thoroughly honest, straight young men quite unlikely to be guilty of committing a hoax. (She also knew that in any case Xavier had already had many strange night-time or "oneiric" experiences.) For example, he had been visited in his bedroom at night by small humanoids of the "classical" type known to Ufologists — big pear-shaped heads, small, nimble bodies — who showed him a number of things, including pyramids. But he always had the feeling about "them" (the little beings) that they were benevolent, and would never do him any harm. (We do not know, of course, whether these "visitations" truly took place and were "real", or whether they were "oneiric" — that is to say, of a dream-like nature. But Xavier's own feeling about it is that the small beings were real.)

Hypnosis Arranged

The parapsychologist Carole Ramis was very upset at the sight of the pictures of the monstrous faces, and at once proposed that arrangements be set in hand for Xavier to be hypnotized, in order to attempt to recover those "lost" or "missing" 34 hours. She accordingly made arrangements for Xavier to attend at the office of Professor Francisco de Asís Rovatti Heredia, a noted Spanish parapsychologist and holder of a recognized diploma in hypnosis, who has already conducted sessions of regressive hypnosis on victims of UFO abductions — among them Próspera Muñoz, the Gerona lady who had been abducted at the age of seven, as reported in FSR 29/4 (*Spanish Woman Recalls Abduction 36 Years Ago*).



Photograph 1: Taken with the Olympus Camera.

It was at about this stage in the story (September 1985) that I met Xavier for the first time, though I had already met his brother several times, as he had been to lunch with my wife Irini and myself at our home in Sant Feliu de Codines near Barcelona.



Photograph 2: A head.

Car Fails to Work

In that same month, September, I telephoned and invited the two brothers to come and be our guests one Sunday. The Sunday in question arrived, and a very strange thing happened. In the afternoon I was expecting them, when suddenly I got a telephone call from Montcada, a village some 30 kms. from my home. It was the brother of Xavier, José Maria, saying that they were having difficulties, as their car would not work. Everything in it seemed to have gone wrong. They had taken it to a local mechanic's garage, which was open on Sundays and which by a fortunate chance was not far from where they had broken down. But the mechanic was unable to find anything wrong with the car or the engine. As it still would not work,



Sketch by Xavier. Attempted interpretation of photograph (2).

they left the car there and went back home by taxi.

Further thorough testing of the car revealed nothing to be wrong with it. And, when subsequently José sat down at the wheel, and started it up, the car went perfectly straight away!

So finally they came to see me on another day, and at this second attempt nothing went wrong with the car. And Xavier brought to me, on loan, the cassette of the taped hypnotic regression of him which Professor Rovatti had made, with Carole Ramis present.

I give the transcript of this hypnotic regression below, but must emphasise that this promising and fantastic case is still "green", inasmuch as much more hypnosis will be needed if we are to recover the whole of that "lost" period of 34 hours and discover why the car was so muddy and dirty and why the indicator showed that it had done those additional 250 kilometres.

The "Double"

But the most hair-raising thing, which we have already discovered in this hypnosis so far is that these

aliens (or *jinn*s or trolls?) had manufactured a "double" of Xavier — an inverted "*sosta*" as we call it in Spanish.²

Elementals

I deliberately use here the term "*jinn*s" and not "*extraterrestrials*" for two reasons. Firstly, nowhere in his hypnosis does Xavier make reference anywhere to any ship or craft, but only to a *cave*.³ And another reason is this: when I showed the accompanying photograph of the creature to Juanjo Banchs, a well-known expert in radiaesthesia (use of the *pendulum*) I wrote on a piece of paper the three possibilities, viz: EXTRA-TERRESTRIAL BEING; ELEMENTAL BEING; and HOAX. His assistant took the paper from me and placed it face down, without his seeing what was written on it. And the pendulum's reply was: ELEMENTAL. We made a second run, adding one more possibility, namely the term SATANIC BEING, and shuffled the words around from the original positions (although of course the radiaesthetist had no knowledge of what was written on the back of the paper). This time, too, the pendulum indicated ELEMENTAL BEING.

Much work remains to be done, I must emphasise, if we are ever to get to the bottom of this extraordinary business. In the meantime, here is our transcript of the first hypnosis session with Xavier C—.

* * * * *

(Translation from Spanish.)

TRANSCRIPTION OF FIRST SESSION OF HYPNOTIC REGRESSION CONDUCTED WITH XAVIER C— BY PROF. FRANCISCO DE ASÍS ROVATTI HEREDIA, QUALIFIED HYPNOLOGIST (DIPLOMA).

Q: Tell me please: where are you going?
A: To Vallgorguina.
Q: Tell me something about the journey.
A: There's little traffic ... I'm doing between 80 and 90 kms. p.h. ... I've got a full tank; I filled up yesterday ... the weather's good (long pauses between one phrase and the next).
Q: Drive on. I want you to explain to me now about your arrival at Vallgorguina.
A: I left town by the road leading out to the dolmen ... I saw they had marked its direction up on a board. So I take this road ... I think I have got a puncture ...
Q: Do you stop?
A: No, it's not a puncture. There's a bit of mist ahead, but I don't know what it is. The weather is fine and sunny ... (long pause). I'm dozing off...



Photograph 3.

Q: Go to sleep. Remember that you're sleeping. Sleep, but remember your dream. Remember your dream. What dream? You'll be able to remember it, now.
A: I'm sleeping on the ground. I didn't get back into the car ... A sort of liquid is falling on me ... it is sort of sticky ... ugh ... very nasty ... (long pause) But I want to get into the car.
Q: And you can't?
A: No. The door is locked and the keys outside, but I can't lay my hands on them; I don't know where I have left them ... I don't know why it has started to rain now.
Q: Yes! It's raining?
A: No. But this water that's falling is sticky. It isn't water.
Q: It's sticky. Sticky.
A: But I want to sleep.
Q: Sleep.
A: No. I can't; this water that's dropping won't let me. It's certain it isn't water ... And everything's covered in clouds.
Q: And now what's happening? Can you remember?
A: Well, yes ... Lucky that the boot is open. Now I'm taking photos with the box camera.
Q: What photos? Tell us what they are.
A: I'm photographing the sky, and this rain that is falling. I'm afraid my plates will get spoiled, and I don't want to get the other camera out. It might get ruined ... I want to get into the car and go back ...
Q: What are you doing now?
A: Obviously I'll have to go up with the box camera. And I want to take my other modern camera with me; I don't want them to take it off me ... (long pause, with deep breathing). The spool I am carrying is important.
Q: Carry on. The more you talk the more you'll rest.
A: I can see them.



Photograph 4.

- Q: What are they like?
- A: They aren't the ones I usually see. *(He is referring to the beings that appear regularly in his home.)* They don't resemble each other in the slightest. And I don't like their faces. I want to go to the car again ... *(pause)* I don't want to go on looking at them. And anyway I haven't any reason to go with them.
- Q: And now what's happening? What's happening?
- A: They want me to go. They want to see how I am.
- Q: All right.
- A: But I don't want to go.
- Q: And what are you doing now?
- A: I don't like their faces ... They're making me go. I don't want to, but they're making me go.
- Q: How? How are they forcing you to go? Tell us.
- A: It seems as though there is something pulling me... They are going to make me fall, because I'm going down a slope where I don't want *(sic)*...
- Q: Don't be afraid.
- A: I stumbled...
- Q: You are protected whilst you are with me beside you. You can carry on.
- A: But I stumbled on the slope.
- Q: O.K.
- A: *(Breathes deeply several times.)* I don't want to go so far down. *(More deep breaths)* I don't know why they are asking me to enter. And I'm afraid of caves. *(Panting.)* And it's scarcely possible to breathe ... It's horrible ... and what's more, I can't turn round ... and up above they're enjoying themselves. *(Several deep gasps.)*
- Q: Why are they doing so?
- A: I don't know why they want to make me go so far in. And the cave scares me, and I've never been in this cave: I never knew it existed.
- Q: Tell us: how is the cave lit?
- A: You can see ... there seems to be light coming in, but it's pretty dark ... I don't want to lie down and rest, I'm suffocating: there's very little air. *(Gasps loudly.)*
- Q: Gently, gently. Carry on remembering.
- A: It smells very bad.
- Q: Is it a smell that you know?
- A: No. *(Still gasping.)* *In an earlier interview, C— had told the author, Antonio Ribera, that the smell seemed like a mixture of rotten eggs (hydrosulphuric acid) and coke.* And besides, it's all very dirty. The walls are sticky *(sic)*. I don't know where the car is parked, or where the keys are. And besides, they have kept the box camera. *(Long pause, with gasps.)* You won't be able to open it *(with a slightly mocking tone)*. *(At this point, Carole Ramis, who is present at the sessions, intervenes.)*
- Carole: Who is taking the photos?
- A: They're trying to open the box camera, and they will ruin all the plates ... Why are they so stupid? They don't understand anything about photographic material...
- Q: So they're going to be spoiled (fogged over)...
- A: Obviously they're going to be ruined. As soon as they open it ... Thank goodness the other one told them not to open it ... he seems to understand a bit more about it ... *(Referring to one of them?)*
- Carole: In what language are they talking?
- A: They are talking the same as me ... I understand them perfectly.
- Q: Can you hear their voices?
- A: No. I feel them inside of me. *(Probably the communication is telepathic.)*
- Q: What is it they want to do with you?
- A: They want to put something — I don't know why — in my arm. But I'm not going to let them, of course. If they treat me like they did about entering the cave: I likewise didn't want to come in... *(Pause)* I don't want them to put anything in me. *(Long pause with deep, loud breaths.)* It's a certainty you aren't going to succeed in putting that in me ... And besides, I know a bit about medical matters: that looks to me a bit like a catheter ... but I hadn't seen where it was connected ... and besides, I'm not going to let them put it in my vein — that's for sure ... because I've got to return to Barcelona this evening; I've got to do a rush job and I don't want to remain here,

- and I want to get out of the cave. I must go back to the car ... *(Pause)* I didn't want them to put it in me *(in plaintive tone)*...
- Q: Are they injecting into you, or extracting from you?
- A: It seems they are taking ... something ... out of me...
- Q: Tissue or liquid?
- A: It's liquid, and they are filling ... this thing they've got here in front me ... I don't know what it is ... *(Long pause. The hypnotist asks a question at this point but it is inaudible, being blotted out by a loud respiration by Xavier.)* I don't like them. They don't in any respect resemble those that I see: these are almost as tall as I am, just a bit less, but their faces are horrible.
- Carole: How are they dressed?
- A: They are deeply furrowed. *(Compare the cases of Pascagoula and Zanfretti.)* You can't see any clothing on them...
- Carole: Are they wearing anything on their heads?
- A: It seems that the one who has put it in me *(the injection?)* has hair, but the others have not...
- Carole: What colour are they?
- A: Grey ... a very dirty grey...
- Carole: How old do they appear to be?
- A: About thirty years...
- Q: Pay close attention now to my voice: Carry on relaxing deeply. When you wake up, when you wake up, when you come out of this state, you will recall perfectly well the face of one of them, and you will sketch it. When you come out of this state, you will recall perfectly well the face of one of them, and you will sketch it. Now, carry on relaxing deeply and continue to experience what is occurring...
- A: They are deeply repellent: they seem as though sticky, and I don't like to have them touch me. They are leaving me like something all sticky ... a ... *(Long pause with an anguished gasp.)*
- Carole: What are they doing now?
- A: They are touching me all over my arms ... *(Long pause and profound sigh.)* And I want them to take that out!
- Carole: Are they touching your head?
- A: No. Not my head. My arms ... But why can't I move my legs? I can't sit up and look at them ... *(Continued deep sighs)*. Their touch is revolting *(almost mumbling)* ... And now they are connecting something up on to my arm ... *(Long pause with gesture of annoyance.)* ... Why won't they let me go quietly back to the car? ... I won't even be able to move it now ... I don't want them putting anything in my arm; I have to sketch. *(During all this period his breathing is laboured and painful.)* I don't want it! Who is going to lead the way down? You don't know ... *(Said turning to one of the entities?)* You're not going to be able to...
- Q: *(Breaking in)* Where are they from? Where are they from?
- A: Why don't they want to tell me? *(Sighing profoundly.)* They know where I come from...
- Carole: *Why have they ... to you? (Part of sentence inaudible owing to Xavier's breaking in.)*
- A: That planet doesn't exist. I don't know of any planet called Cassiopeia such as you are talking about, nor any place of that name ... *(Pause, with laboured breathing.)* I still don't understand what I'm doing in here ... nor what you want ... *(Pause)* Why am I here? Just tell me ... I don't understand it ... You are making me more and more confused and what you have put in my arm I don't like one bit! *(Vigorously.)* If there are any marks left on me, they'll be seen! And nobody will believe it! And why is it of interest to you that nobody should believe what I tell them? But anyway, I don't want to say anything to anybody ... *(Pause.)* Because they're going to take me for crazy, and I don't want that. I've always been a very steady sort of person ... never had this sort of thing happen to me ... I don't believe I'm in here ... I don't want to believe it ... I must be dreaming it ... At any rate it will all be over when I wake up ... I'm not in here, and you don't exist ... I can't believe it!...
- Carole: They are taking photos with the box camera, are they? Have they taken photos?
- A: They're taking photos of me! And what do they want them for?
- Carole: Taking them with your box camera?
- A: With both — with my box camera and with my other camera ... and anyway, they don't know how to use it ... they're going to ruin it, and it was very expensive ... Why are they trying to take photos of me?...
- Carole: And what is the explanation they give? Why are they injecting these signs *(sic)* into your arm?
- A: They want to take something out of me, but I don't know what it is ... They are interested in it... They want to make something — another person like me. They are crazy: yes, they are crazy.
- Carole: Are there other human beings there in the cave?
- A: They say they want to make another; another one just like me...
- Carole: Ah — a "cloning"? What did they say?
- A: They want to change me.
- Carole: Mentally?
- A: They want to make another one just like me ... and then wipe me out. But they aren't going to succeed, that's for sure, because my willpower is stronger than theirs ... They're putting me to sleep now...
- Q: Sleep now.

A: No. I don't want to.
Q: Yes — sleep. Relax...
A: I don't want to remain asleep. *(Long pause.)* I must go back ... I love some people, and if they make another like me...
Carole: It could be taken for you?
A: That's what they want.
Carole: Are you Xavier now?
A: Obviously I'm me. I'm sure they won't manage it ... even though they have taken this out of me they won't succeed ... I remember who I am ... and I know what I've got to do now...
Carole: What is it you are going to do?
A: I'll get my car, and take it to be washed.
Carole: Why? Is it dirty?
A: Yes, I think it is.
Carole: Why?
A: I don't know. It got dirty when that sticky stuff fell on to the bonnet.
Carole: Yes?
A: I like to have a clean car.
Carole: There are grease marks?
A: Yes — it was greasy and foul ... And, on top of that, they have eaten the sandwiches I had brought with me...
Carole: Where? Where did they eat them?
A: Behind the car ... They got in somewhere, I don't know where, because everything is locked except for the boot ... They are so repulsive. I'm going to have to wash the covers; I must wash them tonight without fail, and I don't want to sleep tonight. I'm going to work right through the night ... if I sleep, they'll surely come with the other chap.
Carole: Why do they want to make this other chap?
A: They want to change me.
Carole: Change your mentality?
A: And my person.
Carole: The entire person and mentality?
A: There will be another person with the same physical body, and I don't want them to succeed in it.
Carole: But, this other Xavier, can he be positive, or...?
A: I don't know...
Carole: Or negative?
A: But if the other one comes along, I shall die: I don't want that.
Q: Who is cutting your hair off?
A: They are cutting it! I can't raise my head...
Q: Why are they cutting it?
A: They want to copy it.
Q: O.K. now Xavier. Rest, rest...
A: Why do they want to copy my hair?
Carole: Has it anything to do with your other little friends?
A: No, the others don't want them to do it; they are telling me so ... They don't like what is going on.
Carole: But, don't they intervene?

A: It's a kidnapping. They can't. They won't let them in here.
Q: And how do you get out of the cave?
A: They take me out.
Q: How?
A: I'm already sitting in the car.
Q: And where are you going now?
A: But I'm minus my hair ... *(Pause)* Look, I haven't got the keys and don't even know how to get into the car ... I only know that behind me is another, just like me, who isn't me... I looked round and saw him ... he's sitting in my car...
Carole: Where are the bits?
A: Yes.
Carole: So is there another Xavier just like you?
A: He is dressed exactly like me in every way, and has his hair long, unlike me. He can't be the reflection of me: I've got my hair short now, and I don't know why; I haven't been to the barber.
Carole: And this other Xavier — he's in the car with you?
A: We are entering the motorway now, and he has moved in front.
Carole: He is sitting beside you?
A: He's here.
Q: And what does he say?
A: Nothing. He just laughs.
Q: And you don't ask him any questions?
A: No, because he looks like my twin brother. He is dressed exactly like me in every way.
Q: What do you do with him? Do you make him get out?
A: *(Alarmed)* But he is reversed! He's a reflection.
Q: As though you were in front of a mirror with more...
A: Yes, but he's alive!
Q: What are you doing with him?
A: Come on now! He's here with me! Can't you see him?
Q: Now?
A: He's with me in the car. We are in the car together...
Q: And when he gets out of the car?
A: Look, I'm going to leave him here now, in the calle Vallespir; he told me to do so.
Q: Vallespir? At what corner?
A: On the corner of Vallespir and Condes de Bellloch.
Q: That's it.
A: He's got to go to his house. And I have to go to work ... *(Pause)* What's more, he was seen getting out! *(Excited)* I've just met my neighbour...
Q: Yes?
A: But he did not speak to me, nor did *he* speak to him, and the other one says nothing ... I don't know if he even knows how to talk. I can't believe what is happening, man, it can't be real; I'm dreaming. But what's more, today is Sunday, and yet the shops are open.

You know? Why is that! *Why* are the shops open today ... It's 6.00 o'clock in the evening.

Q: All right Xavier. Come back and sit here beside me.

(END OF TRANSCRIPT)

COMMENT BY ANTONIO RIBERA.

The "Double"

When, during the hypnotic sessions, Xavier spoke of the "double" of him made by his captors, the parapsychologist Carole Ramis used the word "Clonen" (we must bear in mind that her mother-tongue is German). Clearly, she is referring to a completely new technique (today still in the mere project stage) of genetic engineering known as "cloning", namely the creation of one or more identical beings from the genetic code of the father, and which can be taken from a single cell of the latter. But I don't think we can speak of "cloning" in this present case of Xavier C—, but rather of "reproduction". The act of cutting off his hair seems to prove it. (Xavier, incidentally, is also of Nordic origin, tall, with fair hair and light complexion).

When he came to see me in September of this year, more than two months after his abduction, he still bore the three triangular-shaped punctures (forming a triangle of some 3 cms. to each side) on his left arm, where the "aliens" had applied "something" to him.

His hair had been cut so badly by them, that he had to go to the barber straight away next day and have it rectified as much as was possible.

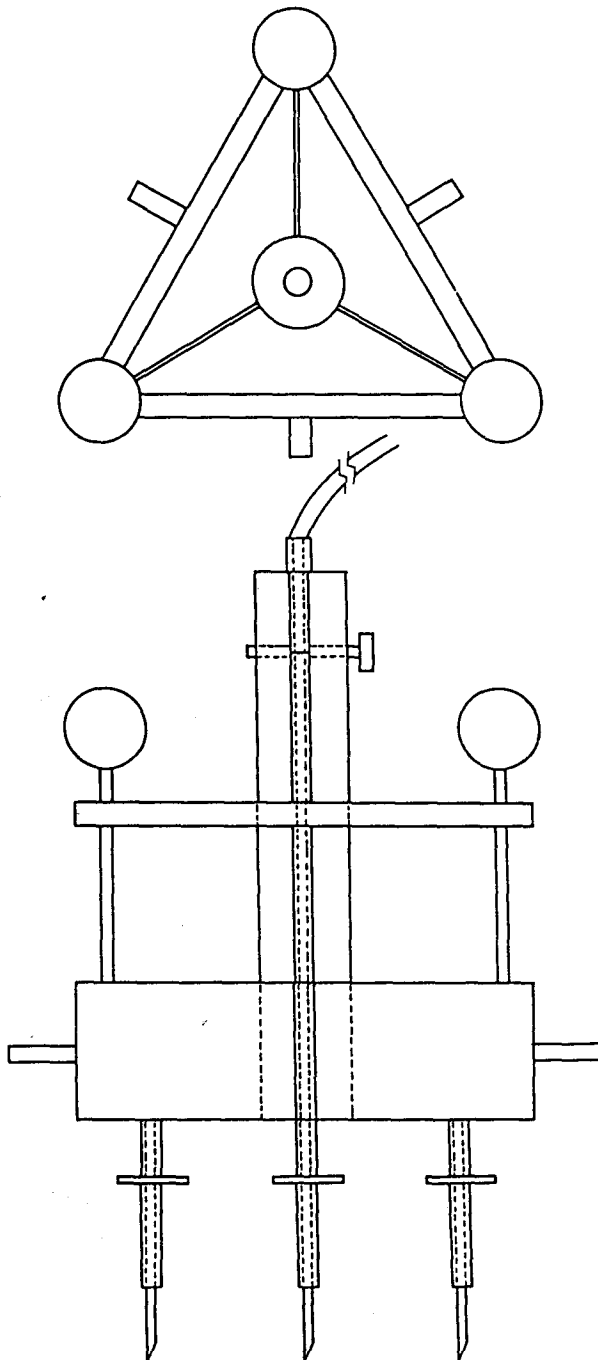
When Xavier became aware of the existence of this other copy of "himself", the very idea of course horrified and disgusted him. What might befall his "mirror double"? And why had it been created in the first place? What for?

But, as can be well imagined, his anguish increased tenfold when a neighbour remarked to him: "Xavier, what were you doing, walking around like that near your place last Sunday?"

The neighbour said this soon after his return home — the next day in fact — he having only returned home, be it remembered, at 6.00 p.m. on the Monday, his abduction having taken place on that same Sunday!

Some days later, another friend of Xavier's mentioned casually that he had seen him — Xavier — on the Avenida Marqués del Duero, popularly known as "El Paralelo" — a Barcelona street that Xavier had in fact not visited for months! When asked what clothes Xavier had been wearing, the friend gave a description. It was precisely the same clothing that Xavier was wearing on that ill-fated Sunday of his abduction!

There was, however, yet worse to come! One night, Xavier went to have dinner at his aunt's. The old lady was amazed at seeing him: "What — you again!"; she



Xavier's sketches of the apparatus with which he says the Entities took a sample of blood from his left arm.

said. "But you have just left, saying that you couldn't stay for dinner..."

Xavier is now constantly preoccupied with this question of the whereabouts of his "double". And, after all, this is very understandable!

Footnotes by the Author

- (1) In Vallgorguina, a beautiful little hamlet at the foot of the Montnegre, in Catalonia, there is a well-known megalithic monument: a *dolmen*, perfectly preserved, which the local people call the "*Pedra Gentil*", "The Gentle Stone". The name of the village itself, Vallgorguina, is possibly a corruption of the Basque words "*Val Sorgiña*", "Valley of the Witches", since in Roman times the territories of the Basque people reached right over here into the north-east of Spain. Many pre-Roman place-names in Catalonia can only be explained via the Basque language (or *Euskera*, as the Basques themselves call it). For example, the ancient name of Mataró, a town on the coast, was ILURO. (IL meaning *bad*, or *death*, in the proto-European languages, and UR or URA meaning *water* in the Basque language. The meaning of the name is therefore "DEAD WATERS", and in fact when the Romans arrived in that part of Hispania 2,000 years ago, they found the present site of Mataró to be covered with marshes, which they proceeded to drain.)
- (2) Xavier C— fits perfectly into the pattern of the typical abductees — young, fit, healthy in both mind and body, etc. (See my article *Do Abductees Fit Into A Certain Pattern?*, in FSR 29/6.) Of course, some tests on Xavier are still pending: for example, all the set of tests as given in *classical Psychiatry* (i.e. Rohrschach Test, Wechsler Test, TAT test, etc.) Likewise an evaluation of Xavier's I.Q. But I am sure he will pass all of these with flying colours. He is in fact a quiet, well-spoken, intelligent, normal young man.
- (3) According to Mario Roso de Luna, a noted Spanish thinker and writer on the occult who lived at the turn of this century, "*the doors which lead to the other world of the Jinns ... are the dolmens, menhirs, and other old Druidic remains in Spain*". And Xavier's hair-raising experience is actually centred on the dolmen, the "*Pedra Gentil*" at Vallgorguina!
See "*EL LIBRO QUE MATA A LA MUERTE*" or "*LIBRO DE LOS JINNAS*" ("*The Book Which Slays Death*", or "*Book of the Jinns*"), by Mario Roso de Luna, written in the early years of this century, and only now recently re-issued by Editorial Eyras, Madrid.
- (4) This "mist" is a common feature in UFO abduction cases. See for example the *Akeley Case* in England, and the many cases of *teleportation*.

Comment by Editor, FSR

I take this opportunity to thank Toni Ribera for so thoughtfully sending me a copy of the recent reprint of Mario Roso de Luna's remarkable "*Book of the Jinns*". It is truly astounding to see how much this learned Spanish occultist of nearly a century ago knew! (And even more astounding to see what he dared to write and get published in the extremely

conservative, conventional and rigorously Catholic Spain of those days!)

On the other hand it ought perhaps not to be so surprising. One of the features which still make Spain so "different" even today is the Arabic background. She underwent many centuries of Muslim rule, and the Arab civilization reached one of its peaks in Córdoba and Sevilla and Granada. In our modern world today, the Muslims still seem to be pretty well the only people who know anything whatsoever about so serious a matter as the presence here among us, on this planet, of such alien beings as the *Jinns*. And much of this secret knowledge must have surely rubbed off, over the centuries, on to the non-Muslim people of Spain, the Celtiberian Spaniards themselves. But in any case I suspect — if even only from his name — that Mario Roso de Luna was no true Spaniard but a learned *Jew*. And from the days of the *Quaballah* (at least 11th century A.D., and with roots far older) there have been many outstanding Jewish students of the Arcane. It will be interesting to learn in due course whether my theory about the Jewish origin of Mario Roso de Luna is right.

As regards this frightening matter of the "*doubles*" I need only add that this is not the first case we have heard of. We have in fact just published one from Brazil! (*The Case of Antônio Alves Ferreira*, in FSR 31/2.)

No doubt throughout all human history these demonic creatures have been playing such tricks upon us. Can one wonder at the misunderstandings, and failures, and disasters, with which the whole of human history is studded! Just think of the possibilities!

There have, incidentally, also been not a few cases in history where not only "*doubles*" but also entirely unknown strangers have suddenly turned up on the scene, sometimes playing a decisive role at a turning-point in human affairs. And maybe not always for the eventual good of mankind. — G.C.

A Note on the Word "Jinn"

Most people are probably more familiar with the form "DJINN", which has come to us through the influence of French, and French translations of Arabic writings. But *dj* is merely the French way of rendering the Arabic letter *jim* (ج) which is nothing but a straight "j" (though pronounced as "g" in the less elegant and more corrupt spoken dialect of Egypt). "JINN" therefore is the correct rendering for the English language. The use of the initial "d" in French is likewise correct for French since, as everyone can hear for himself, the French "j" (as in the names Jean or Jeanne, is *not* identical with our "j" as in, for example, our name Jim. The Spaniards have got it right too, for their version is "JINA". — G.C.

Xavier's sketches of the spirits with which he says the Entities took a sample of blood from left arm.

THE JINN & THE DOLMEN: ADDENDUM

Antonio Ribera

In the first instalment of this story, I withheld the name of the subject, Señor Xavier C—, as it was thought at that time that he would not permit it to be revealed.

However, I am now able to report that in fact he has stated that he has no objection, so I can say that his full name is Xavier Clarés Jerez, born on August 7, 1961, and thus 24 years old.

There are also quite a lot of fresh details which I now am able to give, so I summarize them below:

The Experience

The date of his experience with the entities was Sunday, July 21/Monday, July 22, 1985. His digital watch, which was found after the experience to have stopped, was halted at Sunday, July 21. His car was a red Renault-5.

More Photographs

Xavier has now produced some more fantastic photos. These are the ones made with his box camera. They show a black shape (it seems like a helmeted being) and two claw-like hands, black, shiny and scaly. He explained to me that the original plates were very dark, so he made a contra-type of them and then made several prints, each one cleaner than the previous one, suppressing contrast as he went along.

The Place

As we have emphasised throughout, this case is still in a very fluid state, our enquiries are still in progress, and many points are still uncertain. For example, it seems possible now that Vallgorguina is *not* where the episode took place. It seems highly possible that the name Vallgorguina was planted in Xavier's mind (not deliberately, of course!) right at the outset of our enquiries, by our fellow-investigator, the Austrian-born parapsychologist Carole Ramis. This lady had herself attended a gathering, some three or four years ago, of Catalan followers of witchcraft, which was centred on Vallgorguina because of the traditional association of that place with witchcraft, and she may unwittingly have contributed to fixing Xavier's thoughts on that site.

If, therefore, we go back to square one and study the matter, we can begin with the fact that, when Xavier got back to his home in Barcelona on Monday, July 22, 1985, he had an almost empty petrol tank and a figure of 250 kilometres on his mileometer for which he could not account.

If we recall the previous case of Julio F — at Soria, which I dealt with in my articles in FSR 30/3, 30/4, and 30/5, we shall see that Julio was induced to go hunting in an area about 125 kms. or so from Madrid. Twice this figure, for the journey out and the journey back, gives us 250 kms. And this is the extra amount on Xavier's mileometer. So I started looking around

for suitable sites located at 125 kms. or so from Barcelona, and I have found *two* which deserve consideration as they have dolmens. The first of these is near Palafrugell, which lies near the coast, north-eastwards from Barcelona, in Gerona Province. The other one is near Tremp, in the region known as Pallars, in Lérida Province, due west from Barcelona.

Checking up on the location of dolmens, menhirs, and other megalithic monuments generally in this part of Spain, I found that most of them are in the north-east of Catalonia, that is to say in the far north-eastern corner of Spain where Gerona lies. There is a group of menhirs and dolmens near the French border up there, not far from the coast, but the distance from Barcelona to them (180 kms.) is too much. So my wife and I are planning to go with Xavier on February 21, first to Vallgorguina, to see whether he identifies the spot, and then on to both Palafrugell and Tremp if time permits I shall report further on this in due course. I am also going to contact our Meteorological Bureau and find out what the weather was like at all these three places on July 21 and 22 last.

The Camera Used

The camera used for the first picture reproduced here is an *Olympus OMB* (Japanese make). The film used: *Ektachrome* colour slides of 21 DIN 100 ASA. Lens (objective): Reflex.

One very mysterious point is this: in the semi-darkness of the cave, how was it possible for the film to be impressed? The camera has a photometer, which adjusts the shuttle aperture to the light, blocking the camera if the light is insufficient. Nevertheless this did not happen. The camera worked perfectly. Why?

Maybe the beings possessed some sort of phosphorescence or radiance of their own? (Xavier's own suggestion, after reflecting on the matter.)

A Previous Visit to the Dolmen

More extraordinary still — it now turns out that Xavier had *already* visited the Dolmen (at Vallgorguina or wherever it was) on a previous occasion — three years ago! Moreover, on that occasion there was also a period of "missing time", namely from 8.00 a.m. to 9.00 p.m.!

Xavier has no clear, conscious recollection of what

happened on that day. All he knows is that, at 11 a.m., and again at 7.00 p.m., he saw two triangles of light in the air, about ten metres or so above the Dolmen. The upper triangle was "upside down and into the lower one".

All the colours of the spectrum were rotating from one point to another around each of the triangles. On the external triangle, the lights were going counter-clockwise, and on the other (inner) triangle they were going clockwise.

We shall have to arrange in due course for a probe of this episode under hypnosis, as it looks as though an abduction also took place on that occasion! It will be very interesting indeed if we can "recover" those missing hours, from 8.00 a.m. to 9.00 p.m. one day three years ago.

Xavier's "Double"

In Part I, I mentioned that various people in Barcelona had seen the "double" which the aliens had apparently made of Xavier.

I have now learned that the double was seen on the Paseo de Colón, in Barcelona, on Saturday, November 16, 1985. And he was still wearing the same flowered Hawaiian shirt that Xavier had been wearing on July 21/22! Looking dejected, the "double" was standing waiting at a bus stop. (Next Monday, November 18, a very cold spell set in. Imagine him going around in that weather in a Hawaiian shirt!)

Psychological Tests

In the meantime, on November 15 I managed to have Xavier given routine psychological and neurological tests by my friend Dr Maria Blanch Cardoner who has a clinic in Barcelona. (She is, as it were, our equivalent of Dr Aphrodite Clamar in New York, now well known for her studies and tests of the "abductees" brought to her by the American investigator Budd Hopkins.) Instead of the three hours that Dr

Blanch had warned us it might take, as Carole Ramis and Xavier's brother José Maria and I sat drinking tea in the waiting-room, in fact it took only an hour and a half, and Xavier came through all the tests with flying colours. (One of the tests had involved over 500 questions!) Dr Blanch found that Xavier's I.Q. was 111, which is quite high and above the normal; she found him well balanced, with no psychotic traits whatsoever; calm; and no fabulator or liar.

In fact, her picture of him fits in very well with the general pattern for abductees as given by me in my article on that subject (in FSR Vol. 29, No. 6).

I enclose herewith for FSR's files the initial report on all the tests (Raven; Bender; T.A.T.; M.M.P.I.) as furnished to me by Dr Blanch.

Further Tests Planned

Xavier has consented to further hypnosis and further tests, and I have also had a full personality assessment (Rohrschach; T.A.T.; etc.) made of him by another professional psychologist, Antonio J. Sender, and am now awaiting the text of his report.

We are also to have further tests done on Xavier by Professor Rovatti Heredia (referred to in Part I).

Conclusions

The more I think about this case, the more "jinnish" and more sensational do I find it. It is pure "Jinnism" throughout, from start to finish!

the "Double" Seen Again!

Finally, I am writing this last section on January 12, 1986, and it is now full winter here in Barcelona, and *decidedly chilly*. But that *sosia* ("double") of Xavier has just been seen again recently in this city. And still wearing that same Hawaiian shirt!

**DON'T FORGET TO TELL
YOUR FRIENDS ABOUT
FLYING SAUCER REVIEW,
NOW IN ITS 31st YEAR!**

As was stated in the U.S. Air Force Academy Physics and Astronomy textbook mentioned earlier:-
"From available information, the UFO Phenomenon appears to have been global in nature for almost 50,000 years."

FOR SALE. First twenty years of FSR, 1955-1975, excepting 2/1 (1956) and 3/1 (1957), A. Bluemer, 2000 Hamburg 52, Grottenstrasse 2, West Germany.

THE JINN AND THE DOLMEN (POST-SCRIPT)



According to the brief note received from Antonio Ribera, there has been a further and most extraordinary development in the story of the *Jinn And The Dolmen* (reported in FSR 31/4).

The Cave Located **JULY 1. 1985**

It seems that a dowser from Mataró, Sr. Juan Surià Sitjà, has now detected the presence of an enormous cavern, one kilometre in length, right underneath the *Turó dels Gentils*, which is the name in the local language (Catalan) for the hill on which the Dolmen stands. The present name for the Dolmen, "*La Pedra Gentil*", derives of course from the hill itself. Moreover, there is something else of extraordinary interest about this words "*Gentils*", for there is strong evidence that it is cognate with, or very closely connected with, the Arabic word "JINN" itself! (See below.)

In actual fact, the Dolmen is not now standing where it has always been. Sr. Ribera informs us that, until around the close of the 19th century, its site was several hundred metres downhill from where it is now. Then, for some reason or other, it was re-located, no doubt because the summit of the hill seemed the more natural and more impressive place for it.

Prior to the removal of the Dolmen, the local folk called it "*La Pedra Gelada*" ("The Frozen Stone"), seemingly because its first location was dark, wet, and woody.

The Tunnel

Furthermore, according to a local amateur archaeologist, the student Jaume López, head of a Catalan student group who have published their findings in a small review which they produce, there is a tunnel linking the cave, with the crypt of a dilapidated and abandoned Baroque church, known as the "*Església Vella*" (Catalan for "Old Church") which stands in the Valley below.

Jaume López and his group of archeologists have located the line of this tunnel, and now plan to seek the entrance to it under the "Old Church", but are at present encountering strong opposition from the owners of the land on which the ruined building stands.

FSR .VOL. 32N #2

NOV 1987

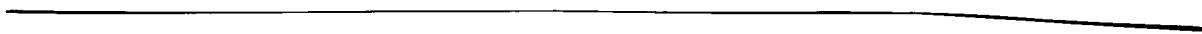
MES Feb



The "Pedra Gentil" Dolmen

Linguistic Clues

With regard to the name "*Turó dels Gentils*" ("Gentiles' Hill" in Catalan) Antonio Ribera gives us, in conclusion, a piece of information which seems to be highly significant. The Catalan word "*gentil*" (pronounced in the softer English or French fashion, and not with the guttural sound of the Castilian "*ge*", which is more like "*heh*") is phonetically identical with the sound of the Arabic letter *j* (*jim* ج) in the



10/10/10

JINN" (جِنّ), and the Spanish investigators feel that it is highly probable that in early times the name of that hill was not "Turó dels Gentils", but indeed "TURÓ DELS JINNS" (THE HILL OF THE JINNS), the name being subsequently altered, at the behest of the Catholic Church, in order to give the place a less "pagan" and less "magical" or sinister character. *For in fact the local folk legends actually do tell us that the summit of the hill was once inhabited by a queer race of people, who were wont to spread out their laundry on the rocks and boulders of the summit, and who promptly vanished whenever a human approached the place!*

And we must always bear in mind the fact that almost every part of Spain was — at least for a minimum of several centuries — totally under Arabic domination, with the result that today the Spanish language still contains many Arabic words (and the neighbouring language of Portugal contains even more).

At any rate, this discovery of a big cavern by the discoverer, and the local legends unearthed by Jaime López and his colleagues, seem to dovetail in a fantastic fashion with the story told by Xavier Clarés who, as we reported in FSR 31/4, claims to have had an extraordinary encounter with unknown and not particularly savoury beings in that precise region. It seems certain that Xavier Clarés, who is not himself a

Catalan, but a native of Almería in S.E. Spain and a relatively recent arrival in Barcelona, can have known little or nothing about the local Catalan legends or about local place-names. He says he knows nobody in Vallgorguina, which is the little hamlet near the "Pedra Gentil", and yet it was there, he claims, that he underwent his extraordinary adventure. And, as I mentioned in my footnotes on page 10 of FSR 31/4, the Spanish etymological experts speculate that this word "Vallgorguina" is possibly a corruption of an original Basque language form, "Val Sorgiña" which, curiously enough, means "The Valley of the Witches". (Though that part of Spain is not inhabited by Basques today, the historians tell us that Basques were there formerly, which would not be surprising, since the linguistic similarity between the mysterious and difficult Basque language and the Georgian language of the Russian Caucasus indicates that the Basques must have come originally from the north-east into Spain.)

It is undeniable that one constantly comes across the most extraordinary and unexpected hints and clues in place-names, which is not really surprising, since so often a name is the oldest surviving human imprint upon a place, long after the humans have gone and even their towns and buildings have vanished without trace. — G.C.

"INDIRECT HYPNOSIS"

Hans Bemelmans (Brazil)

It must be fifteen years or more since we last published a report from our friend Hans Bemelmans in Brazil, and we welcome him again to our pages. — EDITOR

FSR VOL. 32 N #2
ANO 1987
MES Feb

Two very interesting recent articles (Irene Granchi's *Abduction at Mirassol* in FSR 30/1, and Dr. W. Bühler's *Continued Abductions at Mirassol*, in FSR 31/6) have dealt with one of the most extraordinary "contactee" cases discovered so far in this country, and, in fact, the thing is by no means at an end.

In Sra. Granchi's article, she made reference to a mysterious new technique, namely "indirect hypnosis", and this has inevitably led to some correspondence in FSR, with a letter from Mr. Malcolm Smith in Australia (FSR 30/4, page 28) strongly querying the possibility that any such technique could exist!

New Book by Dr. W. Bühler

Well now, as it so happens, Dr. Walter K. Bühler, Editor of the S.B.E.D.V. Bulletin, Rio de Janeiro, working in collaboration with his colleague Guilherme Pereira, has just issued a new book, *O LIVRO BRANCO DOS DISCOS VOADORES* (Pub. by Vozes Ltda., Petrópolis, 1985) in which a chapter is devoted to this so-called "new technique".

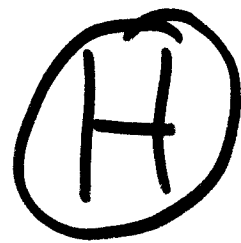
I must admit that it astonished me greatly, for I had never heard anyone suggest previously that it might be possible to seat a medium or sensitive alongside of the hypnotised contactee, and then proceed to recover the whole story through the mouth, not of the contactee, but of the medium!

Subsequently, the Mirassol contactee (Antônio Carlos Ferreira) was given ordinary, straight hypnosis several times. And, on each occasion, the story he uttered fitted precisely with that already given through the sensitive.

Sr. Álvaro Fernandes, the hypnotist involved with Dr. Bühler in the examination of this case, is reported to be a member of the Braid Institute of São José do Rio Preto, and to have been practising hypnosis for more than twenty years. It was he, it seems, who actually discovered this new technique, known in Brazil as the *Sensitivity Regression Technique*.

The method employed is as follows: the medium, a lady named D. Araci, was seated beside Antônio Carlos Ferreira, who was already in a deeply relaxed and hypnotised state. It was then possible for her to

ABDUCCIONES
DOCUMENTACIÓN



PARANORMAL. (C)

investigación realizada
por



Pedro

Penella

Canto

asunto: L-ABDUCCIÓ A VALLGORGUÏNA,
consignado a: L-ENACIÓ I ARNAU DE POZAS

PEDRO PENELLA CANTO
INVEST. UFOLOGÍA - PARAPSICOLOGÍA

El Prat de Llobregat, a 18 de Junio, 1990

Estimado amigo Ignacio:

Ante el interés que despertó el caso de Javier Clarés en ti, te envío una copia del borrador de mi estudio acerca de él, de manera que espero que disculpes las faltas de ortografía y las incongruencias que puedas observar en él. Te recomiendo muy sinceramente que lo leas con calma y detenidamente, puesto que no es oro todo lo que reluce. También, y es un placer para mí, te cedo plenos derechos sobre él si diera el caso de que quisieras utilizarlo en un posterior estudio.


Inciso - ¿Qué tal estás?, ¿bien?, me alegro mucho. Yo y los míos vamos tirando -.

Para mí, y a pesar de dar alguna que otra conferencia acerca del caso y continuar la investigación de la zona de Vallgorguina, el caso de Javier Clarés y de su "abducción", está más que zanjado.

Ahora me voy a introducir de lleno en otro caso ufológico-criptozoológico que también ocurrió en cataluña hace algunos años. Ya te iré informando, por ahora no estoy autorizado. A ver por donde salen los tiros.

Si deseas una mejor y mayor ampliación de la fotocopia que te envío, en color, que es como mejor se aprecia el "bicho", no tienes más que pedirmela.

Recibe un cordial abrazo de tu amigo, que está siempre a tu disposición.


Pedro Penella Canto
UFOLOGO
Jaime Casanovas, 162, 4.º, 1.º
Tel. 379 23 44
08820-EL PRAT DE LL. (Barra.)

CONFERENCIA DEL DIA UNO DE JUNIO DE
MCMXC, PROGRAMA GRAN SABAT DE RADIO NACIONAL DE ESPAÑA.

TEMA: L'ABDUCCIÓ A VALLGORGUINA.

Por Pedro Penella Canto.

INDICE.

- 1.- Explicación del caso de Javier Clarés.
- 2.- Curiosidades a postreras del caso.
- 3.- Donde no cabe falsificación.
- 4.- Donde el gato está más que enjaulado.
- 5.- Pero no contábamos con esto.

.RELACION DE LOS HECHOS.

Era un día soleado del mes de septiembre de 1985. Aquella mañana, Javier se levantó animado y contento porque era domingo y aquellas horas más de sueño habían hecho un gran bien en su cuerpo. Tomó una temprana ducha y se dispuso a desayunar con sus hijos y esposa (citar nombres), al tiempo que cavilaba lo que podía hacer aquella radiante mañana.

Unas horas después (citar hora aproximada), le vino a la cabeza salir solo y pasar el día en la montaña, tiempo que aprovecharía para sacar unas fotografías de la geografía catalana, como ya había hecho en otras ocasiones. Consultó uno de los varios mapas topográficos que él posee y ante sus ojos apareció la bella estampa de los montes llamados "Montnegre", y decidió visitarlos, pero antes eligió el paraje cercano que le había de ofrecer una más bella visión de aquellos bellos montes. Eligió Vallgorguina por muchas razones; la franca tranquilidad que se respira en aquel lugar es una de ellas: Javier, de siempre había amado - y sigue haciendolo - la paz y el sosiego, quizá por ello decidió aquella mañana visitar la montaña, y no la playa. Otra de las particularidades por las que eligió el lugar es porque vió señalado sobre el mapa un buen número de viejos vestigios prehistóricos que, como buen fotógrafo que es, llamaron vivamente su atención.

De modo que, como decía, horas más tarde, se equipó con un atuendo práctico y cómodo - unos pantalones tejanos, unas zapatillas de deporte y una amplia camisa estilo "Hawaiana" -, sus inseparables dos cámaras fotográficas (tipo de cámara y modelo), y, tras haber decidido pasar todo el día en la montaña, le dijo a su mujer:

- Cariño, hazme un bocadillo... Cualquier cosa. Estaré fuera todo el día, pero estaré de vuelta ~~todo-el-día~~ por la noche, para la cena.

Acto seguido, y tras despedirse de hijos y esposa, tomó su automóvil -citar marca y modelo- -atención a este dato porque se-
rá más tarde de un importante valor-, y enfiló rumbo hacia Vall-

gorguina.

Una hora y poco más tarde, tras haber abandonado la Autopista A-19, a la altura de Sant Celoni y haber recorrido los ya pocos kilómetros que le separaban de la citada población, encontró la bifurcación que le había de llevar hasta la falda del pequeño otero llamado "Pedra Gentil" por los Vallgorguineses, y, por lo tanto a unos escasos treinta metros del vestigio lítico y ancestral que compone la construcción dolménica llamada "Pedra Gelada". El sol apretaba (citar hora aproximada) y el calor podía ser palpado por Javier a cada paso que daba. Tan sólo se respiraba tranquilidad y quietud entre aquel espeso bosque en el que se hallaba. Era una sensación placentera que Javier no hubiera cambiado por ninguna otra. Rápida y amablemente, Javier se hizo con sus dos cámaras fotográficas, deseoso de alcanzar aquel dolmen que, ~~aún~~ dada la vegetación y las estrivaciones del terreno, aún no alcanzaba a ver. Pero entonces observó algo que no cuadraba con las aptitudes climáticas de aquel maravilloso día de verano. Una espesa neblina de color grisáceo y que de la cual emanaba un extraño y leve brillo, bajaba la pronunciada cuesta que le separaba del polilito.

Ya habían pasado las horas, eran aproximadamente las ocho de la tarde de aquel domingo y (N), su esposa, se disponía a hacer la cena, y ya comenzaba a inquietarse por la estancada tardanza de su esposo. Una hora más tarde, con los platos sobre la mesa, permitió comenzar la cena a sus hijos, que ya inquirían por ella; mientras, ella comenzaba a preguntarse el porqué del retraso de su marido. Dos horas más tarde, poco antes de las once de la noche y con los niños (N) ya acostados, (N), presa de los nervios y previendo ya lo peor, optó por ~~ya~~ llamar por teléfono al hermano de Javier y esposa y comunicarles lo sucedido. Minutos más tarde, ambos se presentaron en casa de la ya desesperada esposa.

A partir de aquel momento, la búsqueda de Javier se convirtió en un hecho y el teléfono de aquella casa no reposó durante horas. Policía, hospitales, amigos y demás familiares. Un

gran número de profesionales se puso en busca del desaparecido mientras ya su mujer, en vela a altas horas de la madrugada y siendo consolada por sus familiares, ya se temía lo peor.

El día siguiente ~~continué~~ transcurrió al mismo són, con el nerviosismo a flor de piel, esperando ~~la~~ escuchar el zumbido del teléfono en cualquier momento y oír alguna noticia del paradero de su marido, algo...

Aproximadamente a eso de las ocho de la tarde, estando su esposa, sus cuñados y los niños (N) en casa, concienciados todos que nada bueno lo podía haber ocurrido a Javier, sonó el timbre de ~~su casa~~-la puerta. (N) se dirigió hacia ella, confiando en que sería una vecina que venía a curiosar. ¡Y cual fue la sorpresa al encontrar a su esposo tras la puerta, sonriente con las cámaras a cuestas. Se petrificó mientras veía como su esposo atravesaba el vestíbulo, llegando hasta el salón comedor y saludando a sus también petrificados hermano, cuñada e hijos:

- ¡Ey, familia!

Tras dejar sus trastos sobre la cama y asearse un poco, volvió a entrar en la habitación donde le esperaban ansiosos sus familiares.

- ¡Oye! - preguntó, sin percatarse apenas del descarado asombro que allí reinaba - ¿Cómo es que están abiertas las tiendas en domingo?, ¿acaso estamos en fiesta mayor y yo aún no me he enterado?

Tras un profundo silencio, su mujer, aún consternada, dijo:

- "Xavi", ¿te encuentras bien?

- Si. claro. Pero, ¿se puede saber qué coño pasa?

Tras deducir que Javier no sabía de que iba aquel desatinado, su hermano, (N), intentando encontrar tacto, le dijo...

- Javier, No te pongas nervioso. Hoy estamos a lunes, y has estado fuera cerca de treinta y seis horas.

Entonces (N) estalló en lágrimas.

Javier entró entonces en un estado de nerviosismo y lógico mal humor ~~como~~-mientras intentaba asimilar que había estado ca-

si día y medio fuera de su casa y que en su cerebro tan sólo habían quedado registradas algunas horas. O eso o es que le estaban gastando una broma muy pesada. Comenzó a mirar la televisión, las revistas y diarios que le pudiesen dar la realidad del día en que estaba. Y finalmente tubo que rendirse ante la evidencia:

- Mañana es hoy.

Lo primero que pensó es que quizá se había dado un golpe en la cabeza y que había estado aquellas horas deambulando por la montaña, pero habían varias cosas que no concordaban, como por ejemplo: si era verdad que había sufrido un ataque de amnesia, por qué no recordaba aquel tiempo perdido, donde había pasado aquellas horas, si es verdad que le habían estado buscando por la zona, sin dar con él. Y un detalle que era muy significativo, tampoco recordaba haber sacado ninguna toma fotográfica, entonces, ¿de donde salían aquellos cinco clichs o plaquetas que aparecían impresas en su bolsa de las cámaras?

Sin demorarse ni un minuto, Javier se dirigió hacia su cuarto de revelado y allí se dispuso no sin cierto nerviosismo, a revelarlas. Aquel nerviosismo se transformó en pánico cuando aparecieron los primeros positivos, y en ellos aparecían formaciones que él definió como demoníacas.

Tres garras tomas de garras y dos de unas deformadísimas caras un tanto cómicas, es decir, que parecían de esos monstruos que aparecen en los dibujos animados. Mas si él no recordaba haber sacado aquellas tomas, sólo era por una cosa: aquellos seres estaban vivos y, aparte de sacarse las fotografías entre ellos mismos, habían mantenido al dueño de la cámara, oculto durante un día y medio. Javier estalló entonces en una histeria provocada por el gravísimo estado de nervios en que se encontraba. Horas después, y tras comprender que aquel era un caso de aquellos llamados "paranormales", en los que él nunca había creído, y que quien mejor le podía asesorar en aquellos momentos sería su amiga y gran especialista en parapsicología, la señora Carole Ramis.

Esta, comprobando que se trataba de un extraño caso de abducción, optó por consignárselo a Don Antonio Ribera Jordà, decano de los ufólogos españoles y bellísima persona en todos los aspectos. El, que ya ha seguido y estudiado otros muchos casos de abducción, decidió que el primer paso a seguir era realizar sobre la persona de Javier una hipnosis del tipo regresivo, a manos del gran profesional de la hipnosis médica, el doctor Francisco de Asis Rovatti Heredia, director del centro-instituto "Psi-Alfa" de Barcelona. Rovatti, tras haber sido puesto al corriente de la experiencia por el propio Javier y por su colega, A. Ribera, no perdió ni un momento y decidió realizar la sofronización en el mínimo tiempo posible. Minutos después Javier estaba divagando en la quinta dimensión y retrocediendo en la cuarta, hasta el momento en que observó aquella extraña neblina a los pies del dolmen "Pedra Gelada".

Aunque lo esperaban, Rovatti y Ribera no dejaron de sorprenderse ante lo que salía de los labios de Javier. En resumidas cuentas, la neblina era una especie de camuflaje para unos seres de aspecto monstruoso que surgieron de ella, asieron firmemente a Javier y, casi a rastras, consiguieron llevarlo e introducirlo en el interior de una cueva que, según palabras de Javier, parecía coincidir con la perpendicular del dolmen. ALLÍ fue apresado con algo, quizá correages, sobre una mesa y fue sometido al típico chequeo que estamos acostumbrados en los casos de abducción. Javier, que antes no pudo observar el aspecto de sus secuestradores - debido al nerviosismo y a la espesura de la propia neblina -, tubo mayor oportunidad entonces. Sus aspectos - porque no eran menos de tres -, eran grotescos, blandengues, bajitos y verdes, con una apariciencia viscosa. Era un retrato vivo de los monstruos a los que estamos acostumbrados por los dibujos animados. Sus manos eran delgadas, nudosas y pequeñas, con la peculiaridad de que sus dedos eran extremadamente largos y que la longitud del dedo anular era equiparable con el del corazón. Todos los dedos acababan en una pronuncia-

cir que parecían mantener entre sí unas diferencias oseas muy acusadas, y esto parece corroborarlo las dos fotografías de caras que tenemos. Dos de las pruebas que parecieron dejar más huella en Javier fueron la extracción de sangre, realizada a través del brazo ~~izquierdo~~ ^{derecho} a la altura del hombro, con un aparato en cuyo extremo presentaban tres apéndices de apariencia y uso idéntico a las agujas hipodérmicas; y la otra prueba, de vital importancia en el transcurso de este caso, fue la extracción de unas muestras de piel, que realizaron con un bisturí en una zona indeterminada de su cuerpo, posiblemente los pies, operación que realizaron sin que Javier sufriese dolor alguno. Un día más tarde, y tras haber estado más de 24 horas atado a una mesa de operaciones y a merced de aquellos seres, Javier fue puesto en libertad, fue acompañado hasta su automóvil y se le permitió volver a su casa, tras instaurarle en su cerebro una orden hipnótica, según la cual, Javier no debería acordarse nunca de lo que allí había ocurrido. Javier entonces se puso en camino.

No pasaron muchos segundos antes de que se percatase de que en el interior del vehículo había una segunda persona y mirando por el retrovisor interior observó que tras él estaba "!!EL!!", su viva imagen, su otro yo, un ser que presentando las mismas facciones, los mismos rasgos e incluso la misma ropa que Javier, le resultaba completamente extraño y diferente. Digamos que el ser era una imagen de Javier extraída del espejo, es decir: el bolsillo de la camisa Hawaiana que en Javier se presentaba en la pequera del lado derecho, en el otro personaje estaba en el izquierdo, la raya del peinado estaba en el lado contrario, etc... Al momento, Javier quedó petrificado al volante mientras observaba las facciones rígidas y frías de su acompañante, y éste tan sólo se limitó a decir

- !Continua conduciendo!, yo te diré cuando y donde debes parar y a partir de entonces no recordarás haberme visto.

Javier, aún más asustado y confundido si cabe que aquellas ho-

ras transcurridas maniatado a una mesa, no se atrevió a mirar nuevamente atrás y continuó conduciendo.

Cerca de una hora después, y sin que ninguno de los dos apareciesen en el mundo de los vocales, el "Clon" rompió el silencio diciendo:

- Ya puedes parar aquí.

Javier Obedeció. Estaban a la altura de la diagonal de Barcelona. Y aquí llegamos al principio de esta historia.

2º Capítulo: CURIOSIDADES A POSTRERAS DEL CASO.

10/10/89 23:30:38

AGENCIAS/CORRESPONSALES

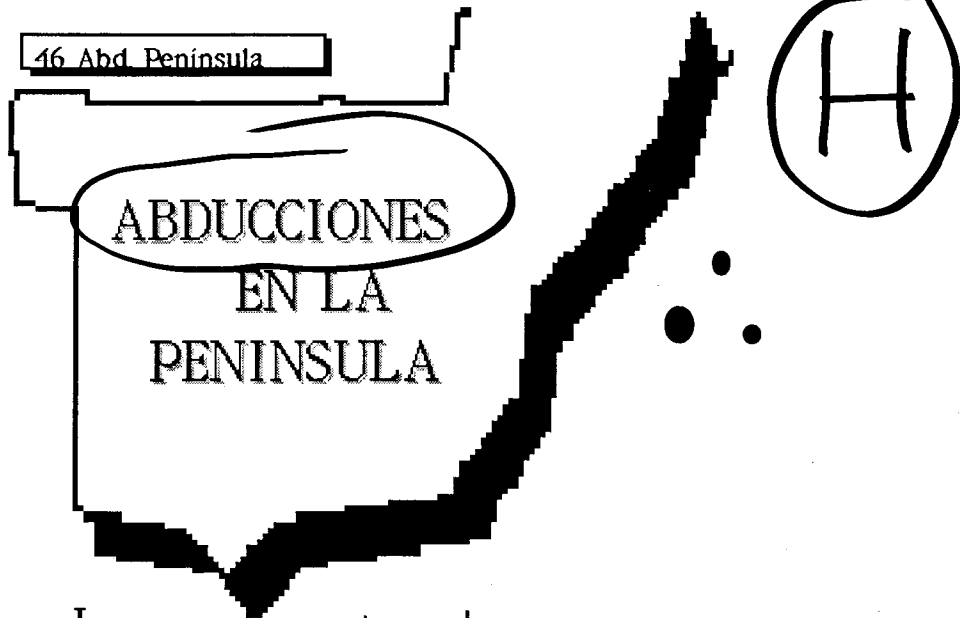
NL Texto: OT3116 MM/DD 10/10 HH:MM 19:22 OLV 011 CAT ART Usuar
*...+....1....+....2....+....3....+....4....+....5....+....6....+...
56 se puede ser en tan poco tiempo maestros de la soberbia y la
57 manipulación, como están demostrando estos días con las cosas
58 de la tele, aparato que creen que existe a beneficio de su
59 perpetuidad.OTR
60 (OTR PRESS) JUL CAE
61 17:43 10 10 89

Fin de



DOLMEN "PEDRO GELADA", EN PEDRA GENTIL
DONDE FUE ABDUCIDO EL FOTÓGRAFO JAVIER

46 Abd. Península



La casuística de abducciones, o supuestos secuestros de seres humanos por presuntos extraterrestres, es más bien escasa en la Península Ibérica y Canarias. Sin embargo, los pocos casos conocidos y estudiados son altamente interesantes, y reveladores. Algunos de ellos han sido analizados en profundidad y su seguimiento por parte de profesionales han durado mucho tiempo, habiendo varios de ellos trascendido nuestras fronteras, para ser conocidos en el extranjero mediante publicaciones especializadas.

Los casos que el autor considera "auténticos" (con todas las reservas que rodean este adjetivo) son, (por orden cronológico):

-- El de la niña Próspera Muñoz, acaecido en Jumilla (Murcia) en 1947 o 1948.

-- La abducción triple de Francisco Padrón, Emilio Bourgon y un muchacho llamado Suso en la playa de Tejita (Tenerife) el 15-5-1875.

-- En tercer lugar, el famoso

"secuestro" del cazador Julio F. en Medinaceli (Soria), el 5-2-1978 (1)

-- Y, last but not least, el extraordinario caso protagonizado por un joven barcelonés de 24 años, Xavier C. ocurrido el 21-6-1985 al pie del dólmen prehistórico en Vallgorquina (prov. de Barcelona). Se trata de un caso atípico por muchos conceptos (tipología de los abductores, ausencia de nave, y, sobre todo, existencia de fotografías de los supuestos seres autores del secuestro).

Vamos a resumir este impresionante caso para los lectores de CdU.

EL CASO DE XAVIER C. O DE VALLGORQUINA

Todo empezó la mañana del día citado, domingo. Xavier salió a las 9 de sus casa, diciendo a su esposa (la pareja no tiene hijos) que se iba a Vallgorquina, para efectuar una sesión fotográfica en el dolmen y sus alrede-

Jc - Oc 87

Abducciones

- Hendry, A.; THE UFO HANDBOOK; Doubleday. New York, U.S. 1979.
- Hopkins, B.; MISSING TIME; Marek. New York, U.S. 1981.
- Hynek, J.A.; SEQUESTROS REALES E IMAGINARIOS; UFO Press, 16. Buenos Aires, Argentina. 1983.
- Hynek, J. A.; ABDUCTEES ARE "NORMAL" PEOPLE; THE PSYCHOLOGIST AND THE ABDUCTEE; Flying Saucer Review, 30, 3. Maidstone, U. K. 1985.
- Kissinger, L.D.; & Schuessler, J.F.; PROJECT VISIT - AN APPROACH TO DETERMINE "WHAT ARE THEY?"; MUFON Symposium Proceedings. Clear Lake, Texas, U.S. 1980.
- Klass, P.J.; UFOS; THE PUBLIC DECEIVED; Prometheus. Buffalo, New York, U.S. 1983
- Lawson, A.H.; WHAT CAN WE LEARN FROM HYPNOSIS OF IMAGINARY ABDUCTEES ?; MUFON Symposium Proceedings. Scottsdale, Arizona, U.S. 1977.
- Lawson, A.H.; HIPNOSIS DE "ABDUCTEES" IMAGINARIOS (1979) ; UFO Press, 19. Buenos Aires, Argentina. 1984.
- Lawson, A.H.; ALIEN ROOTS; SIX UFO ENTITY TYPES AND SOME POSSIBLE EARTHLY ANCESTORS; MUFON Symposium Proceedings. Seguin, Texas, U.S. 1979.
- Lawson, A.H.; SEQUESTRO UFOLÓGICO Y TAAU-MANANTAL (1982); UFO Press, 29. Buenos Aires, Argentina. 1984.
- Lorenzen, C. & J.; ABDUCTED !; Berkeley Press. New York, U.S. 1977.
- Méheust, B.; SOUCOUPES VOLANTES ET FOL-KLORE; Mercure de France. Paris, France. 1985.
- Niemtzov, R.C.; EVALUATION OF MEDICAL INJURIES RESULTING FROM UFO CLOSE ENCOUNTERS; VISIT. Friendship, Texas, U.S. 1980.
- Ribera, A.; DO ABDUCTEES FIT INTO A CERTAIN PATTERN ?; Flying Saucer Review, 29, 6. Maidstone, U.K. 1984.
- Rimmer, J.; THE EVIDENCE FOR ALIEN ABDUCTIONS; Aquarian Press. Willeborough, U.K. 1984.
- Smith, W.; ALVIN H. LAWSON & PROMOTOR O DETRACTOR ?; UFO Press, 19. Buenos Aires, Argentina. 1984.
- Sprinkle, R.L.; HYPNOTIC TIME REGRESSION PROCEDURES IN THE INVESTIGATION OF UFO REPORTS; En "ABDUCTED !" de C. & J. Lorenzen.
- Sprinkle, R.L.; WHAT ARE THE IMPLICATIONS OF THE UFO EXPERIENCES ?; Journal of UFO Studies, 1, 1. Evanston, Illinois, U.S. 1979.
- Sprinkle, R.L.; HISTORIAS INCREIBLES; MUNDO DESCONOCIDO, 67. Barcelona, España. 1982 (Originalmente: UFO CONTACTEES; CAPTIVE COLLABORATORS OR COSMIC CITIZENS ?; MUFON Symposium Proceedings. 1980).

45 Lo Absurdo...

- Tessman, D.; ARE ABDUCTIONS PRE-ARRANGED?; MUFON UFO Journal, 170. Seguin, Texas, U.S. 1982.
- Vallée, J.; PASAPORTE A MAGONIA; Plaza & Janés. Barcelona, España. 1972.
- Vallée, J.; EL COLEGIO INVISIBLE; Diana. Mexico, Mexico. 1981.
- Wanderer, A.; BIRTH TRAUMA AND "ABDUCTIONS"; MUFON UFO Journal, 170 y 172. Seguin, Texas, U.S. 1982.
- Wanderer, A.; HOW TO AVOID BEING "ABDUCTED"; MUFON UFO Journal, 182. Seguin, Texas, U.S. 1983.
- Webb, D.; ANALYSIS OF HUMANOID/ABDUCTION REPORTS; CUFOS Conference Proceedings. Evanston, Illinois, U.S. 1976.

ABSTRACT

Such a bestseller is a synthesis of the most basic aspects of the phenomena of "abduction". Following a logical order the author analysis in detail the real nature of experiences from the viewpoint of the individual as observers. The study of such people as well as sociological information about them are we are reminded a relevant aspect of this kind of ufo-incidents, noticed four ages. "Abduction" represent one interesting alternative to such a cult-the-sac for at least some members of ufology.

The book aims at weighing the pros and cons of two tendencies, on the one hand there is the tendency of those who support evidence as being ideal as well as the strangest reports, on the other hand there is the view point of those who refer to such "stories" as being the fruit of human mind. The author finally asks himself solvet could replace abductions, is solved has been the ufo phenomena evolution during the last forty years.

dores. El viaje hasta la pequeña población, situada al pié del Montseny, y a unos 30 km. de Barcelona, se realizó por la autopista A-17 con toda normalidad. Xavier había dicho a su esposa que regresaría a media tarde, alrededor de las 6. Pero llegó esa hora, luego las siete, las ocho, las nueve, y Xavier no volvía. Poco antes de las diez, su mujer, alarmada, avisó a José María, el hermano de Xavier. Ambos iniciaron entonces una serie de gestiones en comisarias de policía, clínicas, hospitales e incluso en la Delegación Provincial de Tráfico. Nada. Nadie tenía la menor idea del paradero de Xavier. Ambos pasaron la noche de angustia que es de suponer; transcurrida la mañana del lunes sin noticias de Xavier, éste se presentó tan campante a las seis de la tarde, mostrándose muy sorprendido de que "las tiendas y comercios estuviesen abiertos, siendo domingo" (sic). Costó Dios y ayuda, por parte de su mujer y de su hermano, convencerle de que no era domingo, sino lunes (el reloj digital de Xavier también indicaba 21, domingo). Finalmente tuvo que rendirse a la evidencia, comprobando con estupor que tenía unas 34 horas perdidas, borradas de su recuerdo consciente...

Su sorpresa fué en aumento al observar que con su cámara "Olimpus" había efectuado una cantidad de fotos que no recordaba haber hecho. Enviado el carrete (diapositivas color Ektachrome) a la casa Kodak, para su revelado, la sorpresa se trocó en espanto al observar, cuando le devolvieron las dia-

positivas, unas caras monstruosas, de color verde claro. Asimismo, en una caja cuadrada, aparato fotográfico de placas, tipo antiguo, que había construido el propio Xavier, se habían registrado unas manos como garras, de piel brillante (fotos en blanco y negro) y siluetas monstruosas.

Ambos jóvenes, Xavier y José María, habían tenido previamente lo que se podrían llamar llamar experiencias paranormales. En un viaje por mar a Mallorca, José María había fotografiado un fantasma de pié junto a la barandilla del barco. Llevados por su afición por esta temática, los dos hermanos asistieron un día a una conferencia sobre psicofonías que daba la conocida estudiosa barcelonesa de origen austriaco, Carole Ramis. Tras el episodio de Vallgorguina, a ambos se les ocurrió ir con las espeluznantes fotos de Xavier a ver a la señora Ramis. Esta, muy acertadamente, aconsejó a Xavier que se sometiera a una hipnosis para ver de recuperar el tiempo que tenía en blanco en su consciencia. Xavier accedió. De la hipnosis se encargó el reputado hipnólogo y parapsicólogo profesor Francisco de A. Rovatti, y en ella aparecieron detalles impresionantes. Fué entonces cuando el autor de este artículo entró en escena, pues Rovatti y Ramis me pasaron el caso. Conoció a Xavier, que me pareció un joven sensato, sencillo, inteligente y sin el menor afán de protagonismo. En el curso de la sesión de hipnosis (grabada en cinta), Xavier muestra un miedo genuino, no fingido, en presencia de sus viscosos captosres,



Dolmen del "Turó dels Gentils", cerca del Valgorguina, donde, aparentemente, se produjeron los hechos.

seres humanoides de 1,60 m., de piel verde y fría como un batracio. Según el Prof. Rovatti, en hipnosis es imposible fingir miedo. Dos meses después de incidente, Xavier aún conservaba en su brazo izquierdo las tres punciones que, al parecer, los horrendos seres le hicieron con un aparato de tres puntas, con el fin de extraerle sangre, seguramente.

LA REVELADORA
TOPONIMIA DEL LUGAR

El mismo nombre del pueblo, Valgorguina, podría ser una deformación del euskera "Vallsorguiña". En efecto, "sorguiña" es bruja, en el idioma vasco. En época prerromana, éste tenía una extensión mayor que en la

actualidad. Muchos topónimos antiguos de Cataluña se interpretan perfectamente por el euskera (acaso emparentado con el misterioso ibérico), como es el caso de Mataró [ILURO en época ibérica = Il equivale a mal, muerte, en euskera; ur o ura es una antiquísima raíz indoeuropea que significa agua. O sea: "Aguas muertas". La región se llama hoy El Maresme (La Marisma), de unas antiguas marismas que desecaron los romanos]. Precisamente de Mataró es el reputado radiestesista Joan Suriá Sitjá, que efectuando prospecciones por la zona del dolmen, detectó la presencia de una cueva de 1 km. de largo en aquel lugar, llamado el Turó dels Gentils. En aquella zona

se encuentra el Pla de les Bruixas (Llano de las Brujas), la Pedra del Diable (Piedra del Diablo), etc., y en las leyendas locales se nos habla de unos seres que habitan en lo alto del Turó dels Gentils, y que desaparecían en presencia de los humanos.

El Ingeniero sirio Khaled Hamsho, traductor de mi libro "Secuestrados por los Extraterrestres" al árabe (de próxima aparición en Damasco), y al que yo conté el caso de Vallgorguina, me dijo sin vacilar que los seres que abdujeron a Xavier eran jinnns o jinas (2), habitantes de cuevas y antros. Por lo que respecta a Xavier, y antes de pasar a la transcripción de su hipnosis, diré que, costeándolo de mi bolsillo, le hice someter a un detallado examen psicométrico (para que se vea que los que estudiamos el fenómeno OVNI no solo ganamos dinero con nuestros libros) por la psiquiatra Dra. Blanch (que se incluye), por el que se demuestra que se trata de un joven equilibrado, normal, de elevada inteligencia y sin el menor rasgo psicótico, como ya es normal en la mayoría de los abducidos, según puse de manifiesto en un estudio (3) publicado en Inglaterra, dato éste corroborado por el famoso estudio Hynek-Clamar.

Quedan por último los 250 km. no explicados del cuntaki-lómetros de coche, y el extraño asunto del doble visto por varios testigos en Barcelona.

El caso de Xavier C. sigue abierto, pendiente de más hipótesis.

TRANSCRIPCIÓN DE LA SESIÓN DE HIPNOSIS EFECTUADA A XAVIER C. POR EL PROF. FRANCISCO DE ASIS ROVATTI HEREDIA, HIPNÓLOGO DIPLOMADO.

ROVATTI.- Quiero que me diga; ¿Adónde va usted?

C.- A Vallgorguina

R.- Explíqueme alguna circunstancia del viaje

C.- Hay poco tráfico... voy entre ochenta y noventa kilómetros por hora. Llevo el depósito lleno; lo llené ayer... Hace buen tiempo (Las pausas entre frase y frase son largas).

R.- Siga carretera adelante. Quiero que me explique ahora su llegada a Vallgorguina.

C.- He salido del pueblo por la carretera que va al dolmen... He visto que han puesto la indicación en una madera. Tomo esa carretera... creo que he pinchado una rueda...

R.- ¿Tiene usted el coche.

C.- No, no es una rueda. Hay una neblina, pero no se que es (4). Hace buen tiempo y sol... (Larga pausa). Me estoy durmiendo...

R.- Duérmase. Recuerde que se duerme. Duerma, pero recuerde el sueño. ¿Qué sueño?. Podrá recordarlo, ahora.

C.- Estoy durmiendo en el suelo. No he vuelto a entrar en el coche... Me está cayendo como un líquido encima... Es como pegajoso, uá, muy asqueroso.. (larga pausa). Pero yo

50 Abd. Peninsula

- quiero entrar en el coche.
- R.- ¿Y no puede?
- C.- No, está la puerta cerrada y las llaves fuera, pero no puedo cogerlas; no sé donde las he dejado... No sé por qué se ha puesto a llover ahora.
- R.- Sí, llueve.
- C.- No, pero es pegajosa el agua que cae. No es agua.
- R.- Es viscosa. Viscosa.
- C.- Pero yo quiero dormir me.
- R.- Duerma.
- C.- No, es que no puedo; no me deja el agua que cae. Seguro que no es agua... Además se ha cubierto de nubes todo...
- R.- ¿Y qué ocurre ahora? ¿Puede recordar?
- C.- Pues sí... Suerte que el maletero está abierto. Ahora estoy haciendo fotos con la caja (La cámara fotográfica antigua, de placas).
- R.- ¿Qué fotografía? Digámelo.
- C.- Estoy fotografiando el cielo, la lluvia esa que cae. Tengo miedo de que las placas se me estropeen, y además no quiero sacar la máquina (se refiere a la máquina fotográfica moderna). Se puede estropear... Quiero irme dentro del coche y dar la vuelta...
- R.- ¿Lo hace?
- C.- No puedo, Aunque el maletero está abierto, no tengo las llaves, no puedo dar el contacto otra vez... Además, no me veo capaz de dar la vuelta...
- R.- ¿Qué hace usted?
- C.- Tengo que ir hasta arriba, con la caja, claro. Además, no quiero llevar la máquina, no quiero que me la quiten...(Larga pausa, con respiración profunda del sujeto). Es importante el carrito que llevo.
- R.- Sí. Cuanto más hable más descansará.
- C.- Ya los estoy viendo.
- R.- ¿Cómo son?
- C.- No son los que yo veo. (Se refiere a los que se la aparecen habitualmente en su casa). No se parecen en nada; además, no me gusta su cara. Yo me quiero ir al coche otra vez...(Pausa). No quiero seguirlos viendo... Además, no tengo porque ir con ellos.
- R.- ¿Y qué ocurre? ¿Qué ocurre?
- C.- ¿Quieren que vaya. Quieren ver como soy.
- R.- Bien.
- C.- Pero yo no quiero ir
- R.- ¿Y qué hace usted?
- C.- No me gusta su cara... Me hacen ir. Yo no quiero, pero me hacen ir.
- R.- ¿Cómo? ¿Cómo le obligan? Dígalo.
- C.- Parece que hay algo que me atrae... Me van a hacer caer, porque estoy bajando por una pendiente que no quiero...(sic)
- R.- No tenga miedo.
- C.- Es que he tropezado.
- R.- Está usted protegido mientras esté usted a mi lado. Puede usted seguir.
- C.- Pero es que he tropezado en la pendiente.
- R.- Bien.
- C.- (Hace varias respiraciones profundas). Yo no quiero bajar tan abajo. (Sigue respirando profundamente). No sé por qué me invitan a entrar... Además, a mí me dan miedo las cuevas.(Jadea). Y no se puede casi respirar... Es horrible... Y además, ahora no puedo volver hacia atrás... Y encima se divierten

- (varios jadeos profundos).
- R.- ¿Por qué lo hacen?
- C.- No se porque me quieren hacer ir tan adentro... Además, a mi me da miedo la cueva yo nunca había estado dentro de esta cueva: no sabía ni que existiera.
- R.- ¿Cómo está iluminada la cueva? Dígalo.
- C.- Se vé... parece que tiene una entrada de iluminación, pero está bastante oscuro...Yo no quiero tumbarme a descansar, y me ahogo: hay poco aire (jadea ruidosamente).
- R.- Tranquilo, tranquilo. Siga recordando.
- C.- Huele muy mal...
- R.- ¿Es un olor conocido?
- C.- No... [Sigue jadeando; en una entrevista posterior, C. dijo al Autor que parecía una mezcla de huevos podridos (ácido sulfhídrico) y carbón de coque]. Y además está todo muy sucio. Las paredes pegan (sic). No se ni donde para el coche, ya, ni las llaves. Además, se han quedado con la caja (Larga pausa, con jadeos). No la podreis abrir (con ligero tono de mofa)... (Al llegar aquí, interviene CAROLE RAMIS, que asistía a la entrevista).
- CR.-¿Quién hace las fotos?
- C.- Están intentando abrir la caja, y se van a velar todas las placas...¿Por qué son tan poco inteligentes?. No conocen el material fotográfico...
- R.- Se va a velar
- C.- Claro que se va a velar. En cuanto la abran... Menos mal que el otro ha dicho que no la abran... Parece que entiende un poco más....(¿Se refiere a uno de ellos?).
- CR.-¿En qué lenguaje hablan?
- C.- Están hablando como yo... Los entiendo perfectamente.
- R.- ¿Oye su voz?
- C.- No; la estoy sintiendo dentro mío. (Probablemente la comunicación es telepática).
- R.- ¿Qué pretenden con usted?
- C.- Pretenden ponerme no sé qué en el brazo, ni para qué. Pero yo no me voy a dejar, claro. Si me hacen igual que con la entrada; yo tampoco quería entrar...(Pausa). Yo no quiero que me pongan nada... (Larga pausa con respiraciones profundas y ruidosas). Seguro que eso no lo vais a conseguir ponerme...Además,yo entiendo de medicina un poco: eso parece un catéter, pero nunca había visto el sitio donde está conectado... Además, no me lo voy a dejar poner en la vena; eso seguro...porque ésta tarde tengo que volver a Barcelona; tengo que adelantar un trabajo y no quiero quedarme aquí, y quiero salir de la cueva. Tengo que volver al coche... (Pausa). Yo no quería que me lo pusieran (Con voz quejumbrosa).
- R.- ¿Le inyectan o le extraen?
- C.- Parece que me están sacando... una cosa...
- R.- ¿Tejido o líquido?
- C.- Es líquido y están llenando... eso que tienen ahí delante... no se que es... (Larga pausa. Pregunta de CR ininteligible, medio borrada por la ruidosa respiración del sujeto). No me gustan. No se parecen nada a los que veo; son casi tan altos como yo, un poco menos, pero su cara es horrible.
- CR.-¿Cómo van vestidos?
- C.- Están arrugados (cf. casos de Pascagoula y Zanfretta); no se les

- ve ropa...
- CR.-¿Llevan algo en la cabeza?
- C.- Parece que el que me la ha puesto (¿La inyección?); tiene pelo, pero los otros no...
- CR.-¿Qué color?
- C.- Son grises... un gris muy sucio...
- CR.-¿Qué edad parece representan?
- C.- Unos treinta años...
- R.- Preste mucha atención a mí voz: siga profundamente descansando. Cuando despierte, cuando despierte, cuando salga de este estado, recordará perfectamente el rostro de uno de ellos y lo dibujará. Ahora siga, siga profundamente descansando y siga reviviendo lo que ocurre.
- C.- Dan mucho asco; son como viscosos... además no quiero que me toquen... me están dejando como una cosa viscosa, un... (Larga pausa con jadeo angustiado).
- CR.-¿Qué hacen?
- C.- Me están tocando los brazos... (Larga pausa y profundo suspiro). ¡Y quiero que me saquen ya esto!...
- CR.-¿Le tocan la cabeza?
- C.- No, la cabeza no; los brazos... ¿Pero por qué no puedo mover las piernas?... No me puedo incorporar a verlas... (Siguen los suspiros profundos). Tienen un tacto asqueroso (Casi entre dientes)... Y ahora encima me estan enganchando algo en el brazo... (Larga pausa con gesto de contrariedad). ¿Por qué no me dejarán ya tranquilo volver al coche?. No voy a poder ni moverlo luego... Yo no quiero que me metan nada en el brazo; tengo que dibujar (Su respiración es entrecortada y fatigosa durante todo este tiempo). ¡No quiero!... ¿Quién

- va a conducir hasta abajo?. Tu no sabes...(¿Se dirige a una de las entidades?). No vas a poder...
- CR.- (Interrumpiéndolo) - ¿De dónde son?. ¿De dónde son?
- C.- (Trás una pausa) - ¿Por qué no me lo quieren decir?. (Con un profundo suspiro). Ellos saben de donde vengo yo...
- CR.-¿Por qué le han...(Ininteligible; final de la frase pisado por el principio de la de C.).
- C.- No existe ese planeta... Yo no conozco ningún planeta que se llame Casiopea de esos que decís... ni ningún sitio que se llame así... (Pausa, con respiración afanosa). Aún no entiendo que hago yo aquí dentro... ni que que-reis... (Pausa). ¿Por qué estoy aquí a ver?. No lo entiendo... Cada vez me estais confundiendo más y lo que me habeis metido en el brazo no me gusta nada (Con energía). Si me quedan marcas, lo van a ver... ¡Y nadie se lo va a creer!. ¿Y por qué os interesa que nadie se crea lo que voy a contar?. Además, yo no quiero contar nada a nadie...(Pausa). Porque me van a tomar por loco, y yo no quiero; siempre he sido una persona muy seria, y nunca me había pasado esto... Yo no creo que esté aquí dentro; no quiero creérmelo...lo tengo que estar soñando... Menos mal que cuando me despierte todo habrá pasado... Yo no estoy aquí dentro, y vosotros no existís... No me lo puedo creer...
- CR.-¿Sacan fotos con la caja verdad?. ¿Han sacado fotos?
- C.- ¡Me están haciendo fotos a mí!. ¿Y para qué las quieren?.



... "No me gustan. No se parecen nada a los que veo: son casi tan altos como yo, un poco menos, pero su cara es horrible"...

CR.-¿Con su caja?

C.- Con mi caja y con mi cámara; además, no saben manejarla; la van a estropear y es muy cara... Porque están intentando hacerme fotos...

CR.-¿Y que explicación dan? ¿Por qué le inyectan estas signas (sic) en el brazo?

C.- Quieren sacarme algo pero no sé qué es... Les interesa; quiere hacer algo, otro como yo. Estan locos; ellos sí que están locos.

CR.-¿Hay otros seres humanos ahí en la cueva?

C.- Dicen que quieren hacer otro; otro que sea igual que yo...

CR.-Ah...¿Un "clonen"? ¿Han dicho que?

C.- Quieren cambiarme.

CR.-¿Mentalmente?

C.- Quieren hacer otro igual que yo, y a mí borrarle. Pero no lo van a

conseguir, seguro que no, porque yo tengo más fuerza de voluntad que ellos. Lo que pasa que me están haciendo dormir...

R.- Duerme, ahora.

C.- No... no quiero...

R.- Duerme, sí. Descansa...

C.- No quiero quedarme dormido... (Larga pausa). Tengo que volver... Yo quiero a algunas personas, y si hacen otro como yo...

CR.-¿Se pueden confundir?

C.- Es lo que quieren.

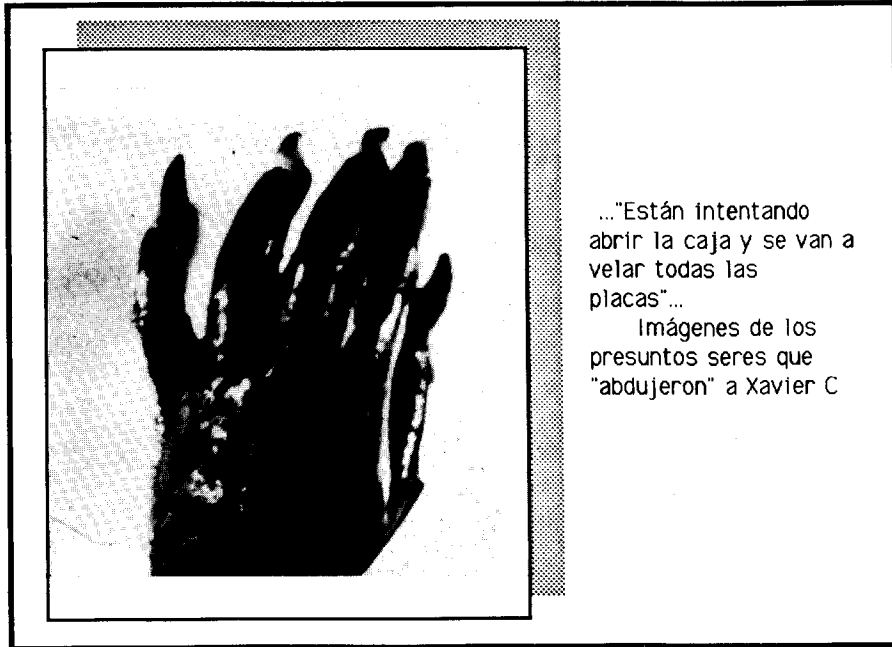
CR.-¿Es usted ahora Xavier?

C.- Claro que soy yo. Estoy seguro que no lo van a conseguir, aunque me hayan sacado eso no lo conseguirán... yo me acuerdo de quien soy, y se lo que tengo que hacer ahora...

CR.-¿Qué va a hacer?

54 Abd. Península

- C.- Cogeré mi coche y lo llevaré a limpiar.
CR.-¿Por qué?. ¿Está sucio?.
C.- Sí, creo que sí.
CR.-¿Por qué?.
C.- No sé... se ha ensuciado cuando ha caído algo pegajoso encima del capó.
CR.-¿Sí?.
C.- Sí, era grasiento y asqueroso... Encima se me han comido el bocadillo que yo traía...
CR.-¿Dónde?. ¿En qué sitio se lo han comido?.
C.- Detrás del coche... Han entrado no se por dónde, por que está todo cerrado menos el maletero...¡Son tan repulsivos! Voy a tener que subir a lavar las fundas; éstas las he de lavar sin falta, y no quiero dormirme esta noche. Voy a pasarme toda la noche trabajando...Si me duermo, seguro que vienen con el otro.
CR.-¿Para qué quieren hacer este otro?
C.- Quieren cambiarme.
CR.-¿La mentalidad de usted?.
C.- Y la persona.
CR.-¿A toda la persona y la mentalidad?.
C.- Con el mismo físico otra persona va a haber, y no quiero que lo consigan...
CR.-¿Pero, este otro Xavier, puede ser positivo, o...?.
C.- No lo sé...
CR.-¿...o negativo?.
C.- Pero si viene el otro yo me moriré: no quiero
R.- ¿Quién le corta el cabello?.
C.- ¡Me lo están cortando ellos!. Yo no puedo levantar la cabeza...
R.- ¿Para qué?.
C.- Quieren copiarlo...
- R.- Bien , Xavier , ahora descansa, descansa...
C.- ¿Pero por qué quieren copiarse mi pelo?.
CR.-¿Tienen algo que ver con los otros amigos suyos pequeñitos?.
C.- No; los otros no quieren, me lo están diciendo... No les gusta lo que está pasando.
CR.-¿Por qué no intervienen?.
C.- ¡Es un secuestro!. No pueden; no les dejan entrar.
R.- ¿Cómo sale usted de la cueva?.
C.- Me sacan.
R.- ¿Cómo?.
C.- Yo ya estoy sentado en el coche...
R.- ¿Y hacia dónde va ahora?.
C.- Pero me falta el pelo... (Pausa). Mira, me faltan las llaves y no sé cómo entrar en el coche siquiera... Sólo sé que detrás mío hay otro igual que yo, y no soy yo, y no es el espejo, ¿eh?. Me he girado y lo he visto: está sentado en mi coche...
CR.-¿Dónde están las migas?.
C.- Sí.
CR.-¿Hay un Xavier igual como usted?.
C.- Va vestido igual que yo y todo, y lleva el pelo largo, no como yo. No puede ser un reflejo mío; yo llevo el pelo corto ahora y no se por qué; yo no he ido al barbero.
CR.-¿Y este otro Xavier, va con usted en el coche?.
C.- Ahora estamos entrando en la autopista y se ha pasado delante.
CR.-¿Está sentado a lado de usted?.
C.- Está aquí.
R.- ¿Y qué dice?.
C.- No dice nada. Sólo se ríe.
R.- ¿Usted no le pregunta nada?.
C.- No, porque parece mi hermano gemelo; va vestido igual que yo, y



... "Están intentando abrir la caja y se van a velar todas las placas"...

Imágenes de los presuntos seres que "abdujeron" a Xavier C

todo.

- R.- ¿Qué hace con él: lo hace bajar?
 C.- (Con alarma). ¡Pero está al revés!...
 R.- Sí.
 C.- Está hecho al revés que yo. Es un reflejo.
 R.- Sí. Como si estuviera delante de un espejo con más...
 C.- ¡Sí, pero está vivo!
 R.- ¿Qué hace con él?
 C.- Anda, Dios, está conmigo, ¿no lo ve?
 R.- ¿Ahora?
 C.- Me está acompañando en el coche; estamos en el coche...
 R.- ¿Cuándo baja del coche?
 C.- Mira, lo voy a dejar ahora aquí en la calle Vallespir; me lo ha dicho él.
 R.- ¿Vallespir; esquina a...?
 C.- Esquina Condes de Bell-lloch.

- R.- Justo.
 C.- Tiene que irse a su casa. Yo tengo que irme a trabajar... (Pausa). ¡Además, lo han visto bajarse! (Con excitación). Me acabo de encontrar con mi vecino...
 R.- Sí.
 C.- Pero no me ha dicho nada, ni él le ha dicho nada, ni el otro habla... No se si quiera si sabe hablar, ni me creo lo que está pasando no puede ser, hombre; yo estoy soñando. Además, hoy es domingo y las tiendas están abiertas, ¿sabe?. ¿Por qué?. ¿Pero por qué están abiertas la tiendas hoy?. Hoy es domingo... Son las seis de la tarde...
 R.- Bien. Ahora, Xavier, vuelve usted a estar aquí a mi lado.
 Fin de la transcripción.

COMENTARIOS:

Durante toda la sesión de hipnosis, la voz de Xavier es aninada (hecho bastante frecuente en la regresiones hipnóticas). Subsisten importantes lagunas en el relato, pues el "tiempo perdido" por Xavier C. totaliza unas 34 horas, y de ellas solo se ha recuperado una mínima parte. En esta primera sesión de hipnosis no se explica, por ejemplo, porque el automóvil presenta 250 km. más en su cuentakilómetros (Xavier es un hombre muy cuidadoso, que cada vez que sale en el coche anota los kilómetros que figuran en el indicador); por qué está sucio y manchado de barro, pese a que el mes de julio de 1985 fué extraordinariamente seco en Cataluña, ni por qué el depósito de gasolina, que Xavier acababa de llenar, estaba casi vacío del todo. Es curiosa la mención que hace Xavier de Casiopea, una constelación boreal compuesta por cinco estrellas que componen la letra "W" en el firmamento, y que él califica como "planeta". Habría que saber si ese nombre procede de sus recuerdos subconscientes o le fué dicho verdaderamente por sus captores. Sea como sea, no estará de más dar algunos datos astrofísicos sobre las estrellas de Casiopea (amablemente facilitados por

D. José Ma. Oliver, Presidente de la Agrupación Astronómica de Sabadell).

Estrella Alfa de Casiopea (llamada Schedar):

Magnitud: 2,23

Tipo espectral: K0

Ascensión recta: 00 h 37,6 min.

Declinación: + 56º 16'

Distancia: Entre 150 y 200 Años-luz.

Es una variable sospechosa (Sistema binario).

Estrella Beta de Casiopea:

Magnitud: 2,25

Tipo espectral: F2

Ascensión recta: 00 h 06,5 min.

Declinación: + 58º 52'

Distancia: 45 Años-luz.

Es una variable binaria o triple

ANTONIO RIBERA JORDA



NOTAS:

(1).- Expuesto "in extenso" en mi obra "Secuestrados por Extraterrestres", Editorial Planeta 1981. También en la FSR inglesa.

(2).- Véase EL LIBRO QUE MATA A LA MUERTE o LIBRO DE LOS JINAS, de Mario Roso de Luna, Editorial GLEM, Buenos Aires 1957. Hay una edición actual en Editorial EYRAS, Madrid 1981

(3).- Do Abductees Fit into A Certain Pattern?, en FSR, vol. 29 n° 6, 1984

(4).- THE MIST IS A COMMON FEATURE IN ABDUCTIONS (cf. Aveyley) AND TELEPORTATIONS.

A → "Abducciones"

Foto de Xavier C.



Foto de Xavier C.



popular locutor de radio hispano afinado en Norteamérica, fue abducido por varias entidades de aspecto pálido y ojos rasgados hacia los costados, al tiempo que los visitantes le insertaban una especie de mensaje cósmico que sabrá transmitir en el momento adecuado. Lo cierto —aseguran algunos investigadores que han tratado el caso— es que Tasca ha cambiado radicalmente de filosofía de vida, dedicándose por completo a las cuestiones espiritualistas. Por otra parte, los estudios médicos realizados sobre él arrojaron el interesante resultado de que sobre su espalda se han formado unas marcas no naturales, como quemaduras, y que aparecieron justo después del encuentro.

* El *Journal of UFO Studies*, que en ese momento editaba la organización ufológica norteamericana Center for UFO Studies (CUFOS) fundada por **J. Allen Hynek**, publica un polémico trabajo del Dr. **Alvin H. Lawson** titulado *La hipnosis de los abducidos imaginarios*, en el que pone de relieve cómo cualquier sujeto en estado de hipnosis —haya sido abducido o no—, conducido convenientemente con preguntas capciosas, puede construir sin grandes problemas un relato «típico» de secuestro OVNI. El estudio de Lawson puso de relieve las deficiencias del método hipnótico para la investigación de las abducciones. Aunque también, tal y como indicó en su mo-

mento **Hilary Evans**, «los experimentos de Lawson señalan la diferencia principal entre los «imaginarios» y los «verdaderos» abducidos: el efecto emocional (y a veces psicológico) en los testigos. Los «imaginarios» no estaban en estado fuertemente emotivo, no tuvieron después efectos psíquicos como amnesia, sueños, pesadillas o experiencias psíquicas. Los «verdaderos» abducidos tienen tendencia a sufrir estas cosas, incluyendo efectos psicológicos».

1985

21 de Junio. Un fotógrafo barcelonés al que se cita en la literatura ufológica como **Xavier C.** fue abducido al pie de un dolmen situado en Vallgorguina (Barcelona) cuando había acudido hasta el lugar con la intención de tomar fotografías del monumento. Xavier perdió veinticuatro horas de su tiempo, hasta el punto de que cuando regresó a su domicilio —y al haber transcurrido exactamente un día— no notó que tenía una laguna temporal tan grande en su memoria. Sólo cuando su mujer le hizo saber de su ausencia y cuando tras revelar los rollos de sus cámaras aparecieron unos rostros y unas manos desconocidas, Xavier comenzó a preocuparse por lo que le sucedió en Vallgorguina.

Tras ser sometido a hipnosis por **Francisco de A. Rovatti**, Xavier supo que estuvo retenido en el interior de una especie de cueva por unos seres de aspecto bastante repelente, que jugaron con sus cámaras, le agredieron físicamente e incluso —y he ahí la parte más rocambolesca e increíble del episodio— hicieron un doble suyo que, según suponen algunos investigadores, aún está por Barcelona camuflado como un humano. El caso ha despertado todo tipo de suspicacias sobre la autenticidad de las fotos, pero investigadores como **Pedro Penella** aseguran que en el dolmen del «Turó dels Gentils», como se conoce a ese área, se han producido más episodios extraños.

26 de Diciembre. En una cabaña de madera que el conocido escritor de novelas de terror **Whitley Strieber** poseía al Norte de Nueva York, comienzan a producirse los primeros hechos extraños relacionados con las «visitas de dormitorio», que desde ese momento recibe la familia Strieber. Esa madrugada, mientras en el exterior de la casa caía una nevada pertinaz, Whitley escucha ruidos en el salón. Más tarde, la puerta de su dormitorio se entorna suavemente, dando pie a la aparición de un pequeño ser, con ojos negros, grandes y almenrados que —progresivamente— va acercándose a la cama... Aquella primera experiencia marcó definitivamente a Strieber —tal y como señala **Ed Conroy**

en su estudio *Report on Communion* (1989)—, y por su propia cuenta y riesgo trató de encontrar respuestas a sus preguntas. Se entrevistó con psicólogos, ufólogos y otros testigos, y como resultado de su ansiedad escribió *Comunión* (1987) provocando que miles de personas reaccionaran, y reconocieran haber tenido las mismas incómodas visitas nocturnas. Lo verdaderamente inquietante del fenómeno que describe Strieber es la impunidad de los «visitantes» para actuar donde y como se les antoje, además del hecho de que las visitas se suceden casi ininterrumpidamente a lo largo de largos periodos de tiempo.

1986

25 de Septiembre. La prestigiosa revista internacional *Nature* publica un artículo escrito por varios miembros del Departamento de Genética del Hospital Wiston Churchill de Headington (Gran Bretaña) pidiendo ayuda a los lectores sobre un extraño componente —en apariencia artificial— encontrado en una muestra de ADN de uno de sus pacientes. Los doctores se mostraban atónitos al comprobar la forma (como de un crucigrama) y la textura del objeto. Varias cartas insinuando posibilidades naturales y más o menos «normales» se recibieron en *Nature* los meses siguientes, pero el misterio de ese «implante» permanece todavía hoy, pues las cartas de ayuda sólo vierten opiniones, y en ningún caso presentan pruebas de sus alegaciones. ¿Se trata de un implante colocado allí por los «abductores»?

Octubre. A finales de este mes **Fernando Martínez** (nombre supuesto), un joven electricista de La Coruña, sufre una experiencia de abducción a las afueras de la capital gallega mientras se encontraba probando una moto de cross de 75 cc. Durante uno de los descansos de su entrenamiento, pudo ver una luz que «se fue haciendo más y más grande hasta alcanzar un tamaño similar al de la luna llena. Y de pronto, ante mi asombro —comenta F. Martínez—, la parte inferior de aquella esfera blanca pareció descomponerse en siete objetos más pequeños de planta triangular». A este insólito espectáculo celeste le siguió el aterrizaje de uno de aquellos triángulos y la casi inmediata posterior abducción, cuyas investigaciones fueron dirigidas —desde un principio— por **Manuel Carballal**. La publicación de su experiencia llevó a Fernando a perder su trabajo como electricista, y aún a pesar de ello el joven coruñés sigue manteniendo que su experiencia fue absolutamente real, incluyendo las descripciones de los seres de apariencia humana que le retuvieron y los minuciosos detalles del interior y exterior de las naves.